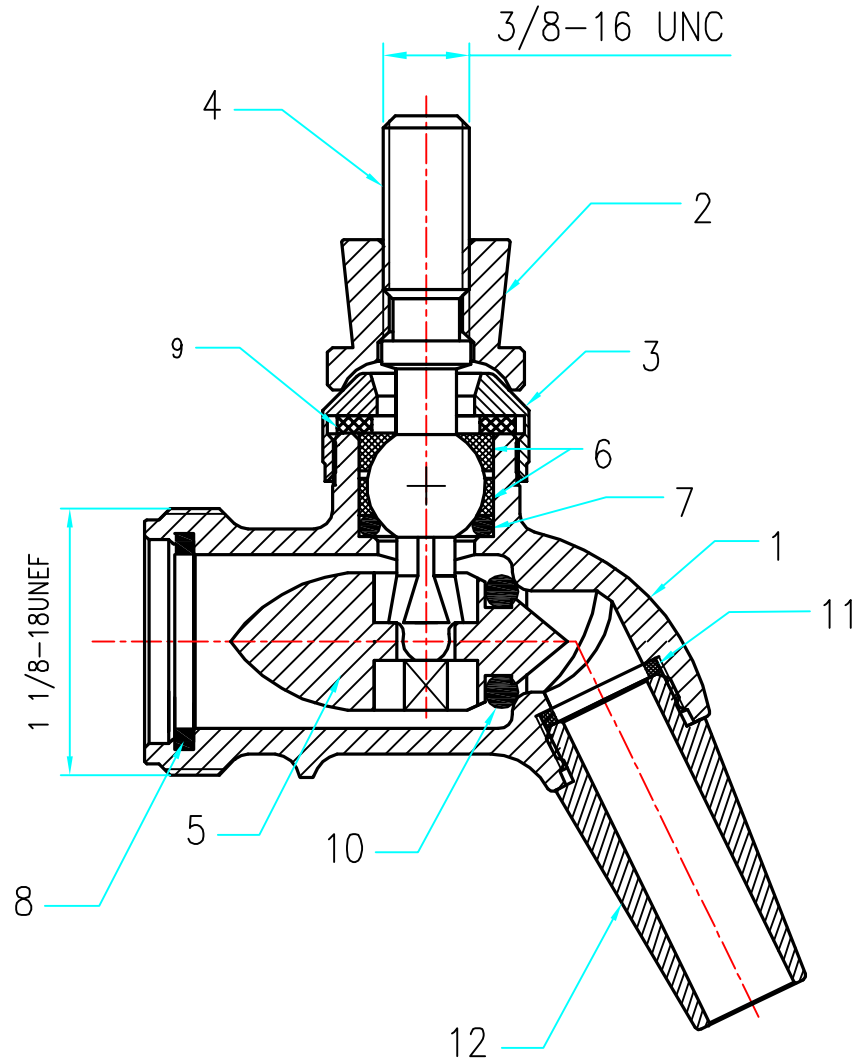


INTERTAP - PC

Chrome Plated Brass: #8039



Components

1. Tap Body
2. Tap Handle Collar
3. Tap Bonnet
4. Tap Lever
5. Tap Shuttle
6. Ball Seals
7. Lever Seat O-Ring
8. Tap Coupling Washer
9. Bonnet Washer

10. Shuttle Seat O-Ring
11. Nozzle Washer
12. 10mm Standard Nozzle

REPLACEMENT SEAL KIT
PART: #8480 (To suit tap models
8022 & 8039)
INCLUDES ABOVE PARTS:
6, 7, 8, 10, 11



Where Quality Beer Comes From
www.INTERTAP.beer

Distributed by:
www.KegLand.com.au
www.KegLand.cn