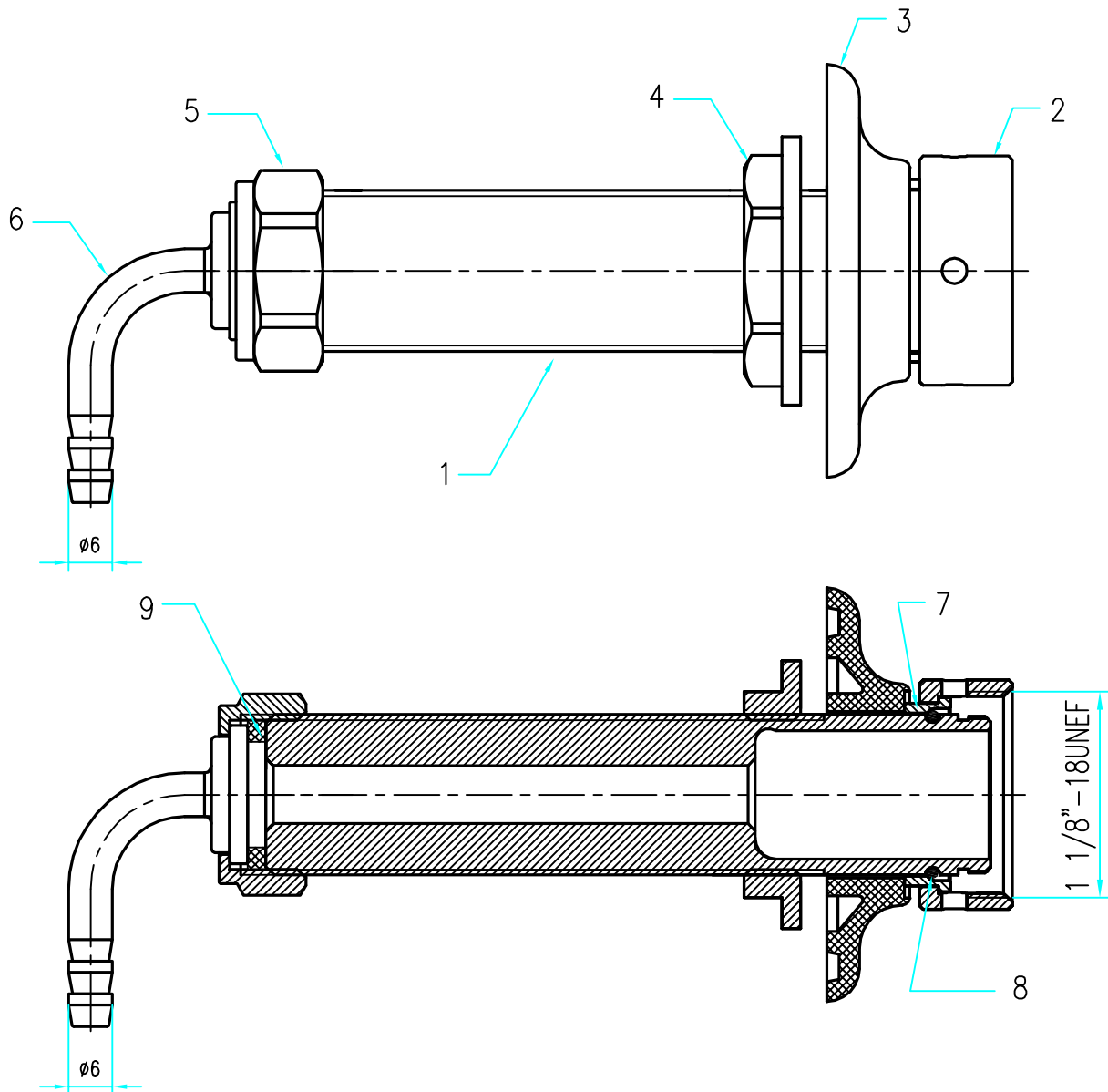


LONG SHANK ASSEMBLY



Stainless Steel: #7506 Chrome Plated Brass: #7483



Components

1. Shank 100mm (ideally suited to wall thickness up to 65mm)
2. Coupling Nut
3. Black Plastic Flat Face Flange
4. Shank Nut
5. 5/8 Hex Nut
6. 6mm Elbow Barb
7. Sleeve
8. Shank Snap Ring
9. 5/8 Washer



Where Quality Beer Comes From
www.INTERTAP.beer

Distributed by:
www.KegLand.com.au
www.KegLand.cn