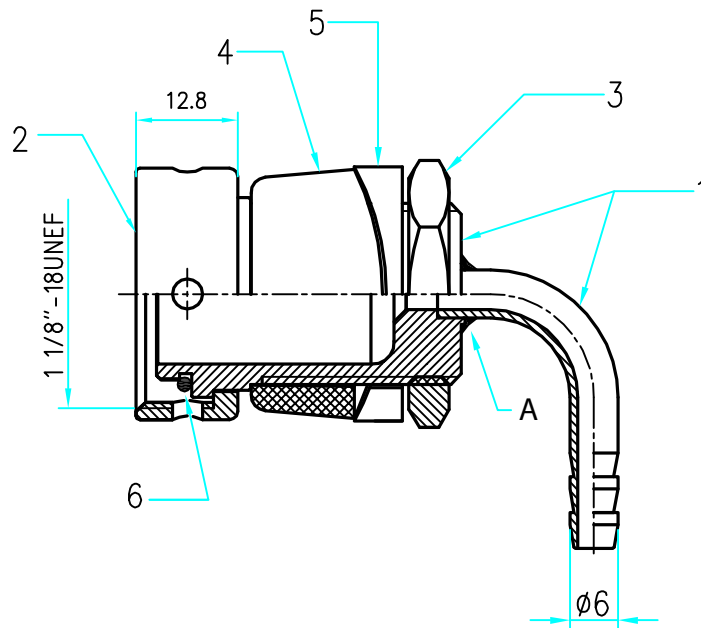


SHORT SHANK ASSEMBLY



Stainless Steel: #7490 Chrome Plated Brass: #7476



Components

- A. Orbital Tig Weld
- 1. Short Elbow Shank
- 2. Coupling Nut
- 3. Slimline 5/8 Shank Nut
- 4. Outside Font Flange
- 5. Inside Font Flange
- 6. Shank Snap Ring



Where Quality Beer Comes From
www.INTERTAP.beer

Distributed by:
www.KegLand.com.au
www.KegLand.cn